

VK8

**Center Replaceable
12 Years & Months**

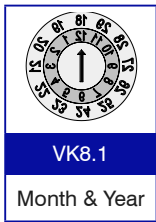
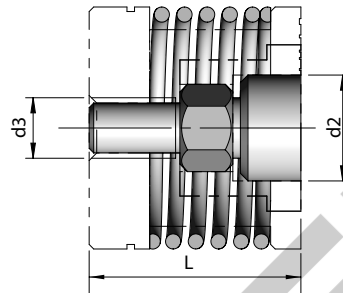
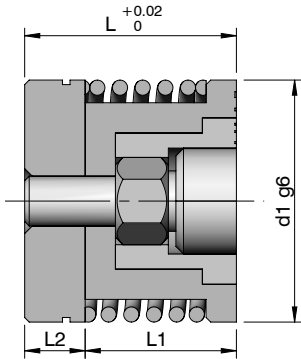
Raw material:AISI 420B

Hardness:50-55 HRC

Center Insert

Raw material:AISI 420B

Hardness:48-50 HRC



Code	d1	L	L1	L2	Stock
VK8.1/8 x 12	8	12	8	4	•
VK8.1/10 x 14	10	14	10	4	•
VK8.1/12 x 14	12	14	10	4	•
VK8.1/16 x 14	16	14	10	4	•

Code	d2	d3	L	Stock
VK8.1/1/3.8 x 12	3.8	M2.5	12	•
VK8.1/1/4.8 x 14	4.8	M3	14	•
VK8.1/1/5.8 x 14	5.8	M4	14	•
VK8.1/1/7 x 14	7	M4	14	•

√ - Ex-stock • - Against Order | Ordering Example: Code - Quantity | VK8.1/ 16 x 14 - 5 Pcs