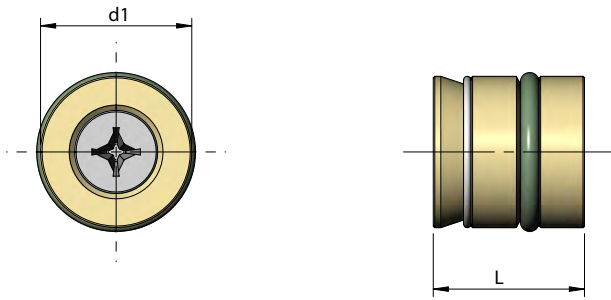


VJ1.2Raw Material: Brass
Viton O-Ring

Code	d1	L	Stock
VJ1.2/ 001	4	8	•
VJ1.2/ 002	6	10	✓
VJ1.2/ 003	8	10	✓
VJ1.2/ 004	10	10	✓
VJ1.2/ 005	12	12	✓
VJ1.2/ 006	14	13	✓
VJ1.2/ 007	16	14	✓
VJ1.2/ 008	18	16	✓
VJ1.2/ 009	20	19	✓
VJ1.2/ 010	25	19	•
VJ1.2/ 011	30	19	•

✓ - Ex-stock • - Against Order | Ordering Example: Code - Quantity | VJ1.2/ 011 - 4 Pcs

Features:

- ◆ This kind of cooling plugs can be used in any kind of water slot as stopper. Cooling Plugs can be used when it is backed up by other mould inserts or mould plates.
- ◆ With the help of screw driver or allen key, cooling plugs can be tightened to install and loosened to uninstall from the mould.
- ◆ It requires less space compared to conventional threaded cooling plugs and also eliminates the tapping operations.
- ◆ Standard cooling plugs with Viton O-ring can be used up to 220C; water resistant as well as oil resistant.