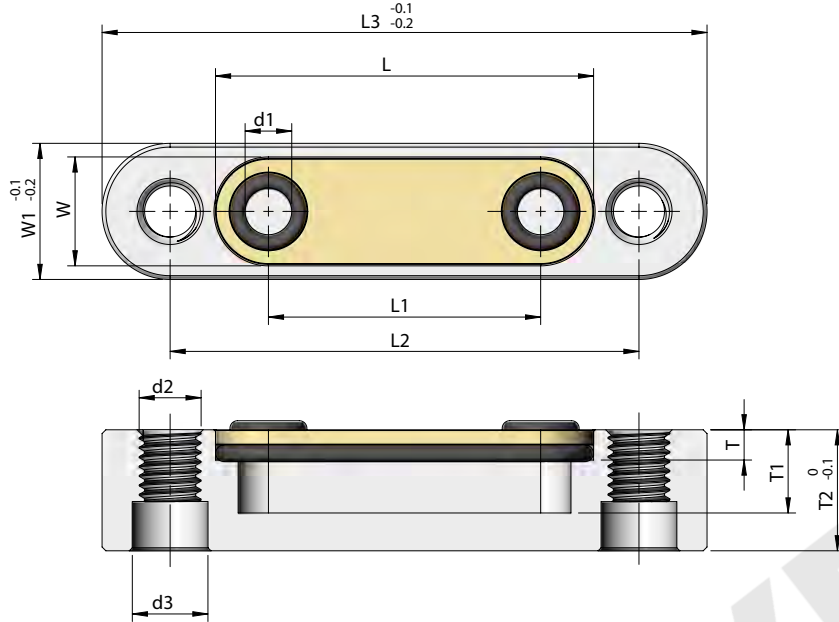


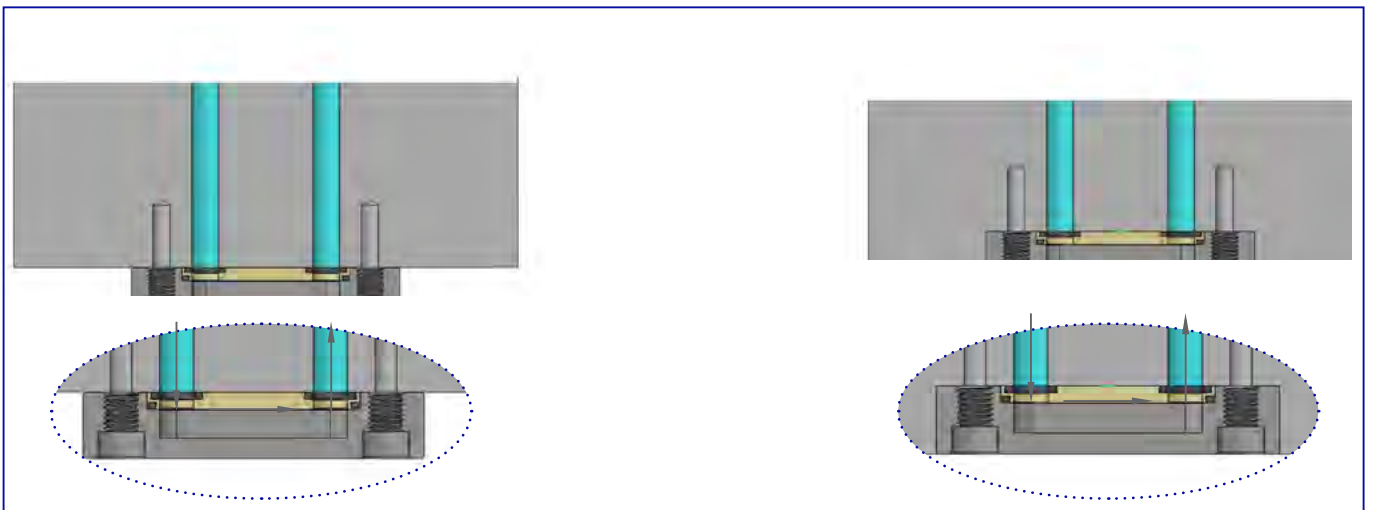
VJ1.13

Raw Material: 2.0401
 Viton O-Ring
 Loop Nest: 1.2085
 Max. Pressure: 6 bar
 Max. Temp.: 180°C



Code	d1	d2	d3 (C' Bore for)	L	L1	L2	L3	W	W1	T	T1	T2	Stock
VJ1.13/ 001	6	M6	M5	28	16	38	54	12	16	4	9	14	•
VJ1.13/ 002				36	24	46	62						•
VJ1.13/ 003				44	32	54	70						•
VJ1.13/ 004	8	M8	M6	32	18	44	62	14	18	4	11	16	•
VJ1.13/ 005				42	28	54	72						•
VJ1.13/ 006				50	36	62	80						•
VJ1.13/ 007	10	M8	M6	36	20	50	70	16	20	4	12	17	•
VJ1.13/ 008				46	30	60	80						•
VJ1.13/ 009				56	40	70	90						•

✓ - Ex-stock • - Against Order | Ordering Example: Code - Quantity | VJ1.13/ 009 - 4 Pcs



VJ