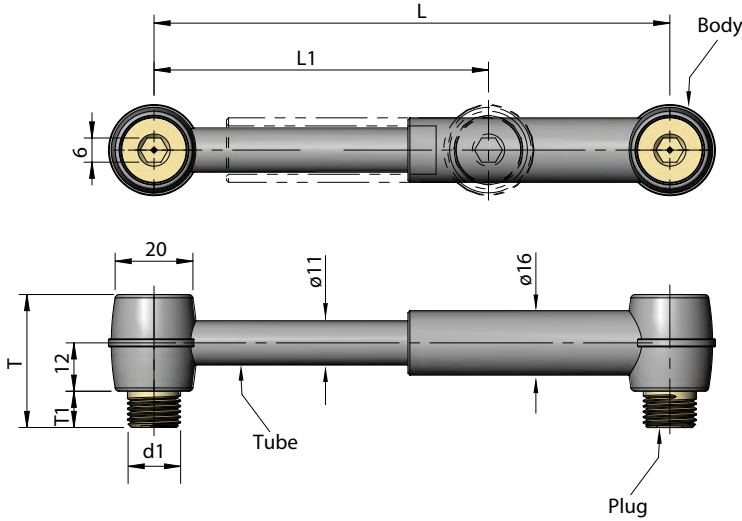


VJ1.10

Raw Material: Brass
 Body: Polyacetal (POM)
 Tube: Polyacetal (POM)
 Plug: Brass (C3604)



Code	d1	L	L1	T	T1	Stock
VJ1.10/ 001	1/8" BSPT	65	50	31	9	•
VJ1.10/ 002		100	65			•
VJ1.10/ 003		160	100			•
VJ1.10/ 004	1/4" BSPT	65	50	35	12.7	•
VJ1.10/ 005		100	65			•
VJ1.10/ 006		160	100			•
VJ1.10/ 007	M10	65	50	31	9	•
VJ1.10/ 008		100	65			•
VJ1.10/ 009		160	100			•
VJ1.10/ 010	M12	65	50	35	12.7	•
VJ1.10/ 011		100	65			•
VJ1.10/ 012		160	100			•

✓ - Ex-stock • - Against Order | Ordering Example: Code - Quantity | VJ1.10/ 012 - 4 Pcs

Specifications	Thread Size	
	1/8"	1/4"
Maximum Tightening Torque (N.cm)(kgf.cm)	490(50)	880 (90)
Working Pressure (kPa)(kgf/cm ²)	980(10)	
Maximum Pressure (kPa)(kgf/cm ²)	1470(15)	
Working Temperature	Up to 80°C	

VJ