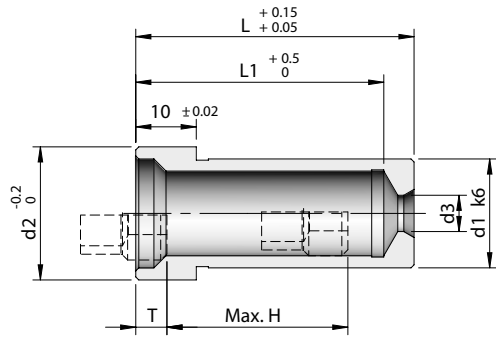


**VE9.2**

**Bush for Pressure Sleeve**

Raw Material: 1.3505 Steel (Suj2)  
Hardness: 54-58 HRC



Code	d1	d2	d3	L	L1	T	Max. H	Stock
VE9.2/ 001	18	22	6	36	31	6.7	24	•
VE9.2/ 002	18	22	6	46	41		34	•
VE9.2/ 003	18	22	6	56	51		44	•
VE9.2/ 004	24	29	10	36	30		23	•
VE9.2/ 005	24	29	10	46	40		33	•
VE9.2/ 006	24	29	10	56	50		43	•
VE9.2/ 007	24	29	10	76	70		63	•

✓ - Ex-stock • - Against Order | Ordering Example: Code - Quantity | VE9.2/ 007 - 8 Pcs

VE

