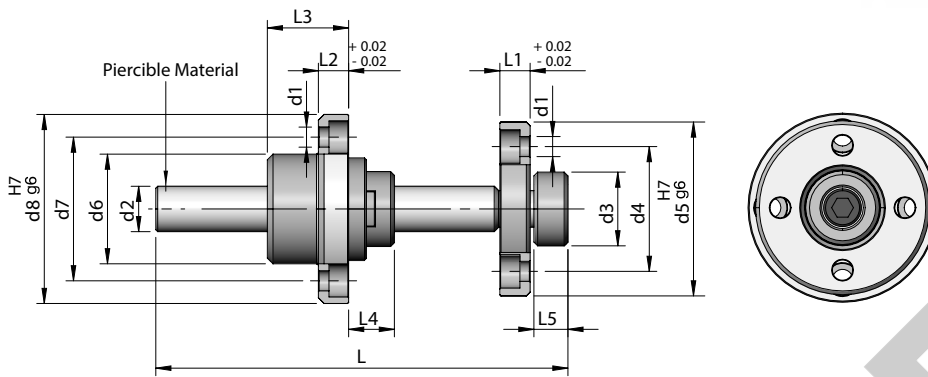


**VE8.1**

Raw material: Case Hardened Steel - 1.7243  
Hardness: 54 to 58 HRC



Code	d1	d2	d3	d4	d5	d6	d7	d8	L	L1	L2	L3	L4	L5	Max. Dynamic Load	Stock
VE8.1/ 001	5.5	12	19.5	33	46	29.5	38	50	100	8	8	21.5	12	9	100 kg	•
VE8.1/ 002	8.5	16	29	52	70	41.5	52	70	100	13	13	28	17	12	300 kg	•
VE8.1/ 003	5.5	12	19.5	33	46	29.5	38	50	200	8	8	21.5	12	9	100 kg	•
VE8.1/ 004	8.5	16	29	52	70	41.5	52	70	200	13	13	28	17	12	300 kg	•

✓ - Ex-stock • - Against Order | Ordering Example: Code - Quantity | VE8.1/ 004- 8 Pcs

**Characteristics:**

- ◆ Easy application
- ◆ Versatility of use
- ◆ Blockage of the plate trailed after unhooking without limit of stroke

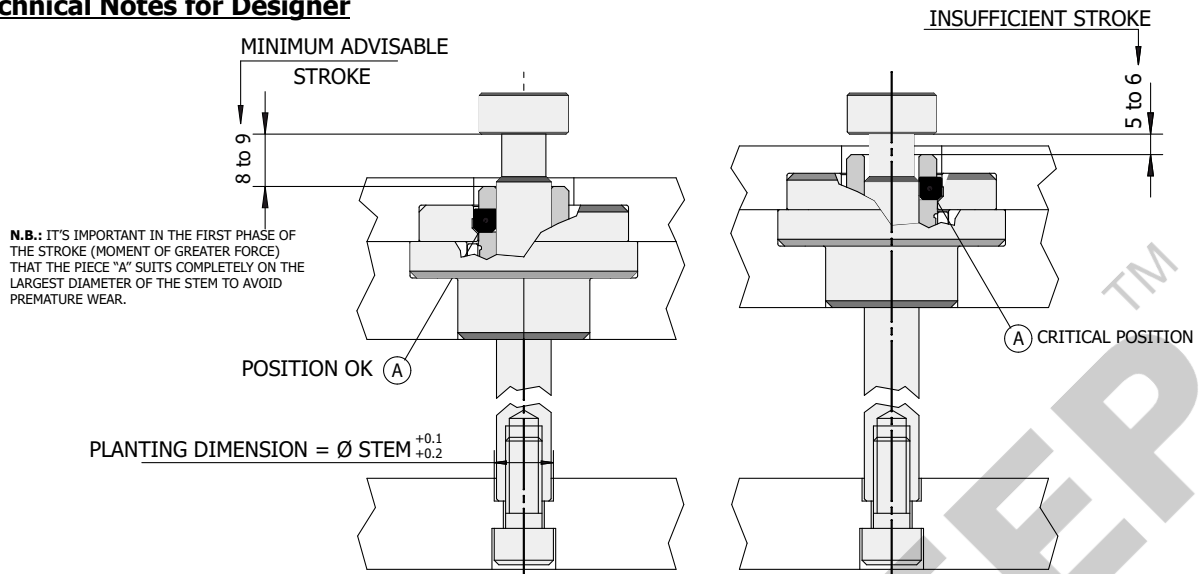
**Note:**

Its important to observe the maximum working loads indicated in the table, which are 100 kgs for VE8.1/ 001 and 300 kgs for VE8.1/ 002 In case of uncertain applications kindly consult the constructor.

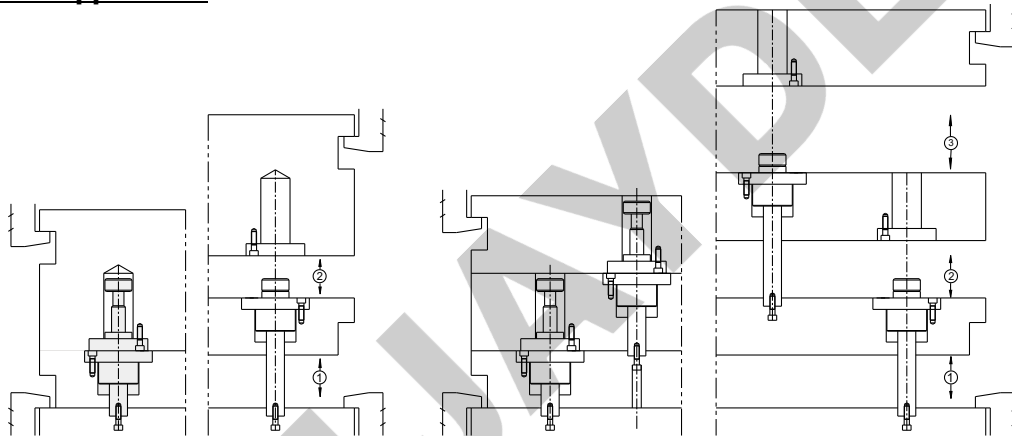
- ◆ Longer Lengths available on request.
- ◆ Customers can drill and tap bolt hole after cutting the shaft to required length.

VE

**Technical Notes for Designer**



**Examples of Application**



**Special Application**

