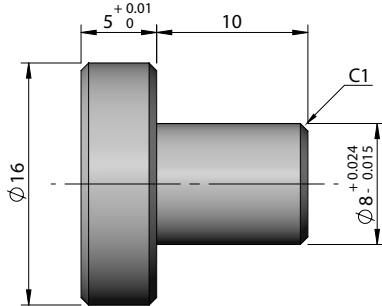


VE10.1

Stop Button - Press Fit

Raw material:S45C
Hardness:46 - 50 HRC

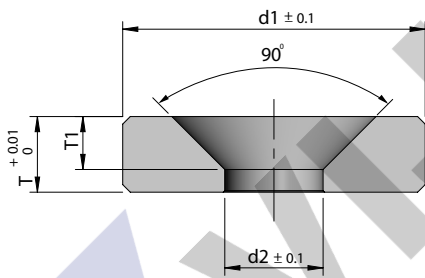
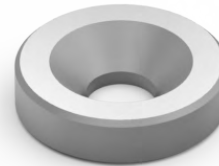


✓ - Ex-stock • - Against Order | Ordering Example: Code - Quantity | VE10.1 - 8 Pcs | Min. order qty: 10 pcs

VE10.2

Stop Button - CSK Type

Raw material:S45C
Hardness:46 - 50 HRC



Code	d1	d2	T	T1	Stock
VE10.2/ 001	16	5.5	5	3	•
VE10.2/ 002	20	6.5		3.5	•
VE10.2/ 003	25	8.5		4.5	•

✓ - Ex-stock • - Against Order | Ordering Example: Code - Quantity | VE10.2/ 003 - 8 Pcs | Min. order qty: 10 pcs