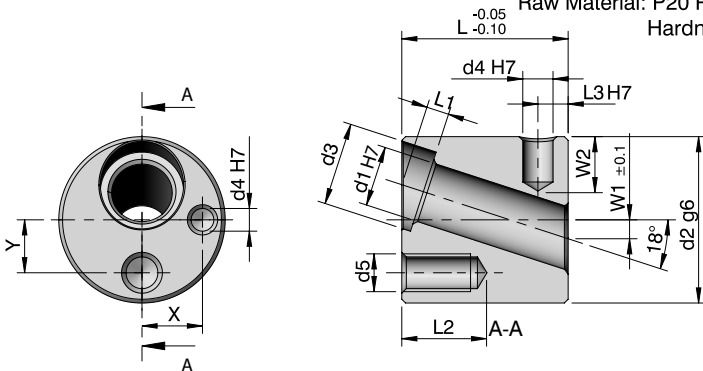


VD2.4
Round

Raw Material: P20 Pre hardened Steel
Hardness: 28 to 32 HRC

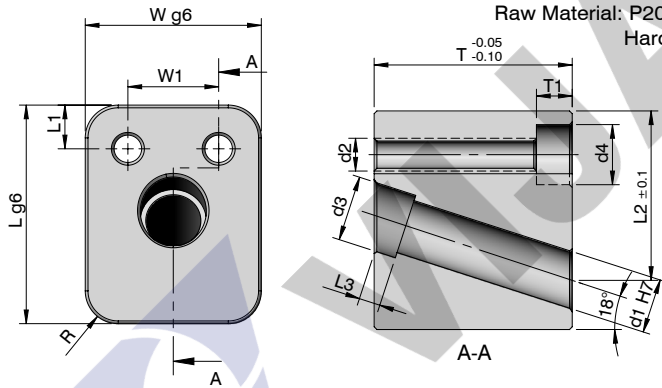


Code	d1	d2	d3	d4	d5	L	L1	L2	L3	W1	W2	X	Y	Stock
VD2.4/ 001	8	22	11	3	M5	22	3	12	4	2.5	6	8	7	•
VD2.4/ 002	10	25	13	4	M6	27	3	12	4	4.5	8	9	8	•
VD2.4/ 003	12	32	17	4	M6	36	6	12	4	6	8	11	10	•
VD2.4/ 004	14	36	19	4	M8	36	8	16.5	4	6	8	13	12	•
VD2.4/ 005	16	40	21	5	M8	46	8	16.5	6	8	10	14	13.5	•
VD2.4/ 006	18	40	23	5	M8	46	8	16.5	6	8.5	10	15	13.5	•
VD2.4/ 007	20	45	25	6	M8	46	8	16.5	6	8.5	12	16.5	15	•
VD2.4/ 008	22	50	27	6	M8	56	15	16.5	6	10	12	18	16.5	•
VD2.4/ 009	24	50	29	6	M8	56	15	16.5	6	10	12	18	16.5	•
VD2.4/ 010	30	63	37	8	M10	66	15	23	8	11	14	24	21	•
VD2.4/ 011	32	63	37	8	M10	66	15	23	8	11	14	24	21	•

✓ - Ex-stock • - Against Order | Ordering Example: Code - Quantity | VD2.4/ 011 - 4 Pcs

VD2.5
Rectangular

Raw Material: P20 Pre hardened Steel
Hardness: 28 to 32 HRC



Code	L	L1	L2	L3	W	W1	T	T1	d1	d2	d3	d4	R	Stock
VD2.5/ 001	25	6.5	19.5	3	25	12	17	5.7	8	M6	11	10	5	•
VD2.5/ 002	30	7	23	3	27	13	22	5.7	10	M6	13	10	5	•
VD2.5/ 003	40	8	31	6	32	16.5	36	6.8	12	M8	17	11	6	•
VD2.5/ 004	40	7	31	8	32	16.5	36	6.8	14	M8	19	11	6	•
VD2.5/ 005	45	7.5	35	8	32	17	46	6.8	16	M8	21	11	6	•
VD2.5/ 006	52	9.5	40.5	8	36	17	46	9	18	M10	23	15	8	•
VD2.5/ 007	55	10	42	8	40	20	46	9	20	M10	25	15	10	•
VD2.5/ 008	60	10.5	46	15	40	20	56	9	22	M10	27	15	10	•
VD2.5/ 009	65	11	49.5	15	45	22	56	11	24	M12	29	18	10	•
VD2.5/ 010	75	12	56	15	52	30	66	11	30	M12	37	18	12	•
VD2.5/ 011	75	12	55	15	55	32	66	11	32	M12	37	18	12	•

✓ - Ex-stock • - Against Order | Ordering Example: Code - Quantity | VD2.5/ 011 - 8 Pcs