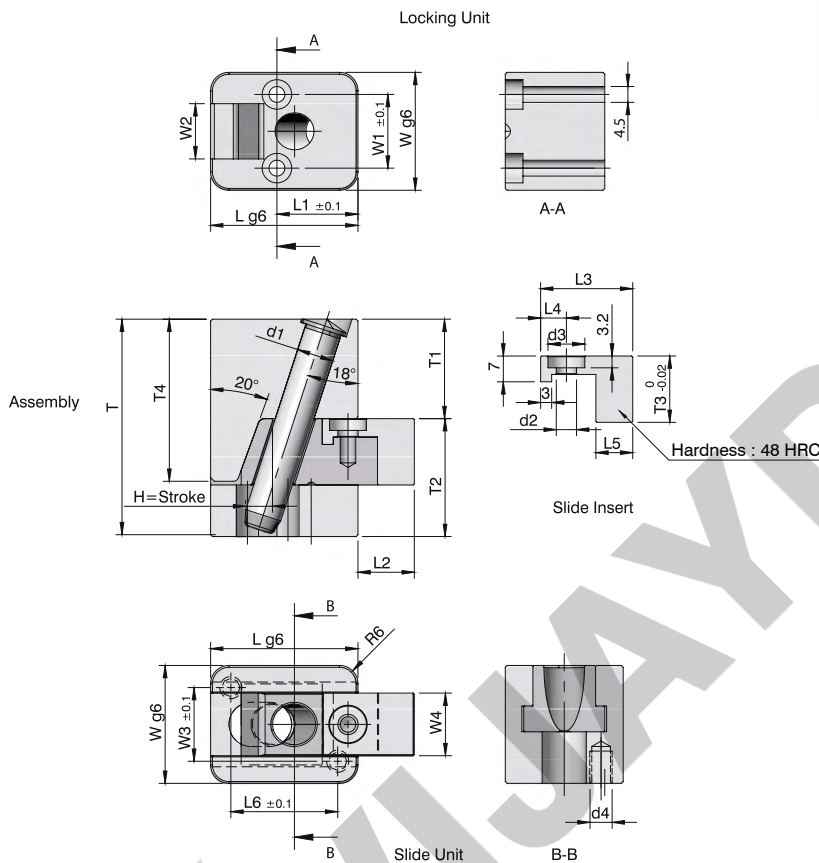


**VD1.1**

Raw Material: 1.2343  
Hardness:52-56 HRC



VD

Code	L	L1	L2	L3	L4	L5	L6	W	W1	W2	W3	W4	T	T1	T2	T3	T4	d1	d2	d3	d4	H	Stock
VD1.1/ 001	32	18	14.3	22	7	8	20	28	18	11	18	12	49	22	27	16	36	8	4.5	8	M5	6.1	•
VD1.1/ 002	40	22	15.3	25	7	10	29	32	20	15	20	16	59	27	32	18	44	10	4.5	8	M6	7.5	•

✓ - Ex-stock • - Against Order | Ordering Example: Code - Quantity | VD1.1/ 002 - 8 Pcs