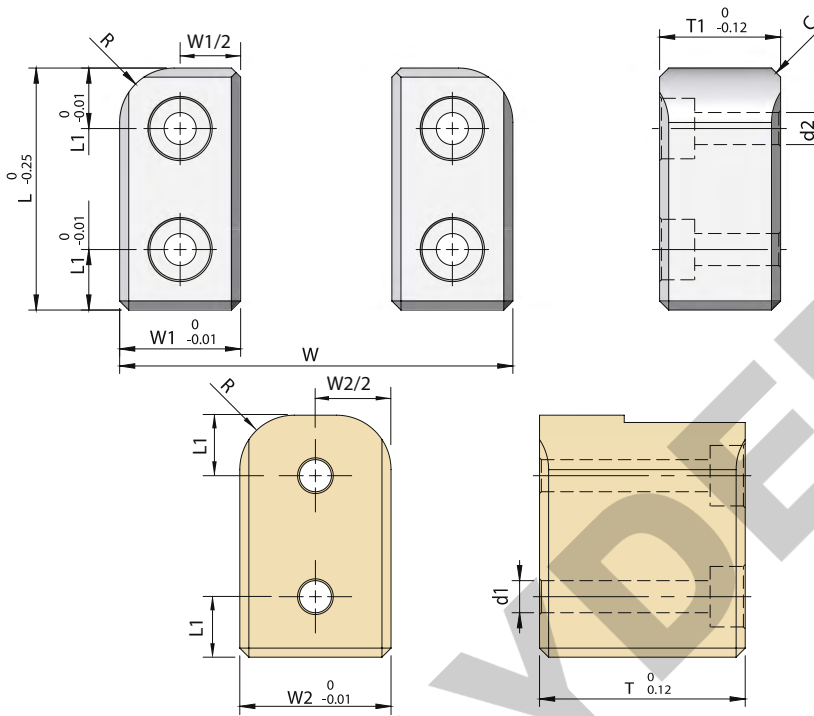


VB6.7

Parallel Interlock

Male:
Raw Material:A-2 with Tin Coated
Hardness:58-60 HRC
Female:
Raw Material:O-2 with Surface Treatment Black Oxide
Hardness:50-52 HRC



Code	L	L1	W	W1	W2	T	T1	d1	d2	R	C	Stock
VB6.7/ 45	25	7	45	15	15	24	15	4.5	4.5	4	1	•
VB6.7/ 65	40	10	65	20	25	34	20	5.5	5.5	9	1.5	•
VB6.7/ 90	50	10	90	25	40	44	25	6.5	6.5	9	1.5	•

✓ - Ex-stock • - Against Order | Ordering Example: Code - Quantity | VB6.7/ 90- 4 Pcs (1 Piece = 1 Male + 2 Female)

