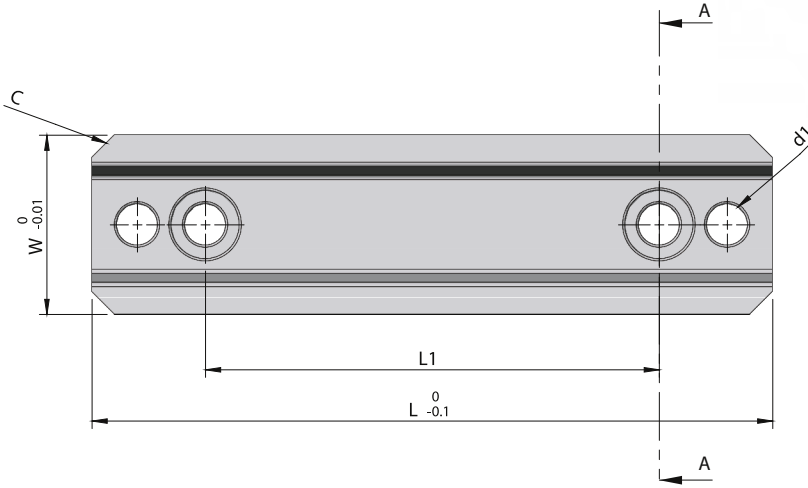


VB6.3

Taper Block Set

Raw Material: 1.7131 Hardened
Hardness:- 55-60 HRC



Code	L	L1	T	T1	T2	W	C	d1	Stock
VB6.3/ 50	50	0	25.5	17.5	8	25	5 x 45°	M5	✓
VB6.3/ 100	100	60	32	22	10	30		M6	✓
VB6.3/ 150	150	100	38	25	13	40		M8	✓

✓ - Ex-stock • - Against Order | Ordering Example: Code - Quantity | VB6.3/ 150 - 4 Pcs (1 Piece = 1 Male + 1 Female)

