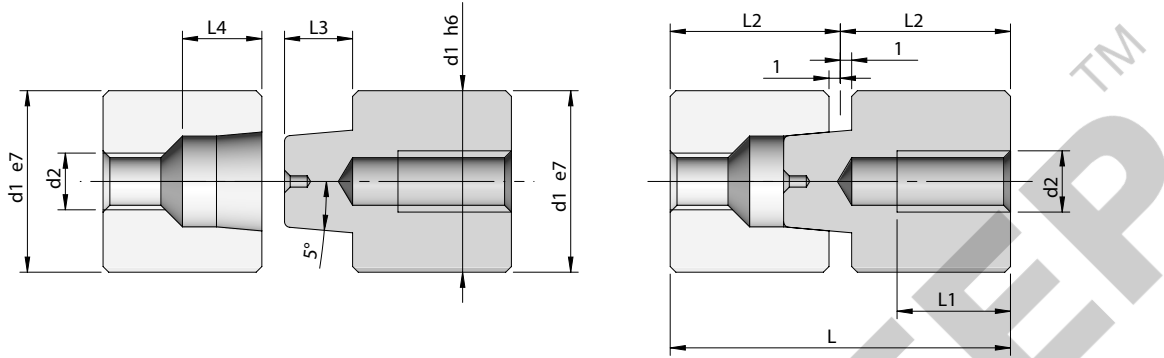


VB6.2

5° Taper

Raw Material: EN-31 Hardened and Ground
Hardness: 54±2 HRC



VB

Code	d1	d2	L	L1	L2	L3	L4	Stock	
VB6.2/ 12	12	M4	30	10	15	6	5	✓	
VB6.2/ 13	13							✓	
VB6.2/ 14	14							✓	
VB6.2/ 16	16	M5	40	12	20	9	7	✓	
VB6.2/ 18	18	M6						8	✓
VB6.2/ 20	20	M8						11	✓
VB6.2/ 25	25	M10	60	16	25	12	11	✓	
VB6.2/ 30	30	M12						14	✓
VB6.2/ 35	35	M12	70	20	35	18	17	•	

✓ - Ex-stock • - Against Order | Ordering Example: Code - Quantity | VB6.2/ 35 - 4 Pcs (1 Piece = 1 Male + 1 Female)

Note : Any other Diameter & Length available as per customers requirement

