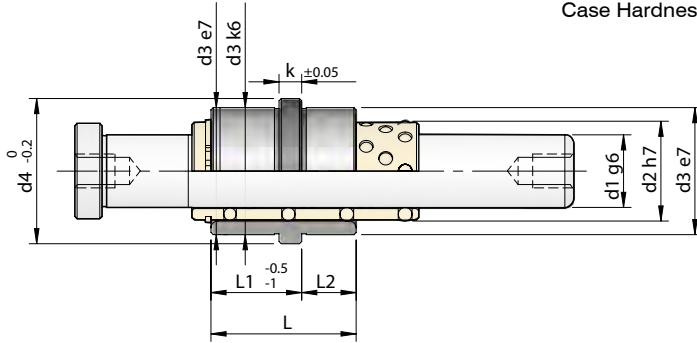


VB5.2

for using with Ball Cage Bush

Raw Material: EN36

Case Hardness: 58-60HRC



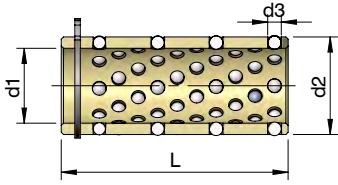
| Code | d1 | d2 | d3 | k | d4 | L | L1 | L2 | Stock |
|------------|----|----|----|---|----|----|----|----|-------|
| VB5.2/ 001 | 16 | 22 | 28 | 5 | 32 | 32 | 20 | 12 | • |
| 35 | | | | | | 15 | | • | |
| VB5.2/ 003 | 20 | 26 | 34 | 5 | 38 | 35 | 25 | 15 | • |
| VB5.2/ 004 | | | | | | 45 | | 20 | • |
| VB5.2/ 005 | 25 | 31 | 40 | 5 | 44 | 45 | 25 | 20 | • |
| VB5.2/ 006 | | | | | | 55 | | 25 | • |
| VB5.2/ 007 | 30 | 36 | 45 | 5 | 50 | 55 | 36 | 25 | • |
| VB5.2/ 008 | | | | | | 61 | | 25 | • |
| VB5.2/ 009 | | | | | | 66 | | 30 | • |

✓ - Ex-stock • - Against Order | Ordering Example: Code - Quantity | VB5.2/ 009 - 4 Pcs

VB

VB5.2/1

Raw Material:Brass



VB

| Code | d1 | d2 | d3 | L | Stock |
|--------------|----|----|----|-----|-------|
| VB5.2/1/ 001 | 16 | 22 | 3 | 50 | • |
| VB5.2/1/ 002 | 16 | 22 | | 75 | • |
| VB5.2/1/ 003 | 20 | 26 | | 75 | • |
| VB5.2/1/ 004 | 20 | 26 | | 100 | • |
| VB5.2/1/ 005 | 25 | 31 | | 75 | • |
| VB5.2/1/ 006 | 25 | 31 | | 100 | • |
| VB5.2/1/ 007 | 30 | 36 | | 75 | • |
| VB5.2/1/ 008 | 30 | 36 | | 100 | • |

✓ - Ex-stock • - Against Order | Ordering Example: Code - Quantity | VB5.2/1/ 008 - 4 Pcs