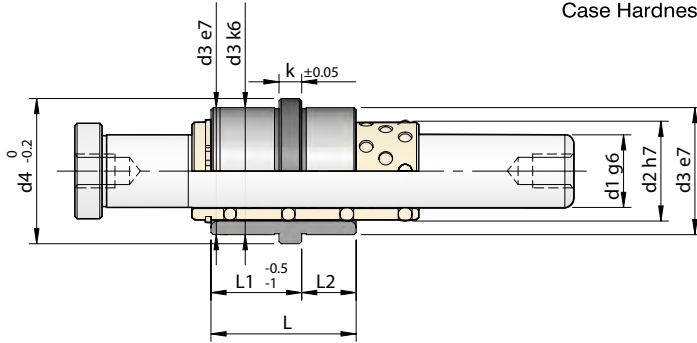


**VB5.2**

for using with Ball Cage Bush

Raw Material: EN36

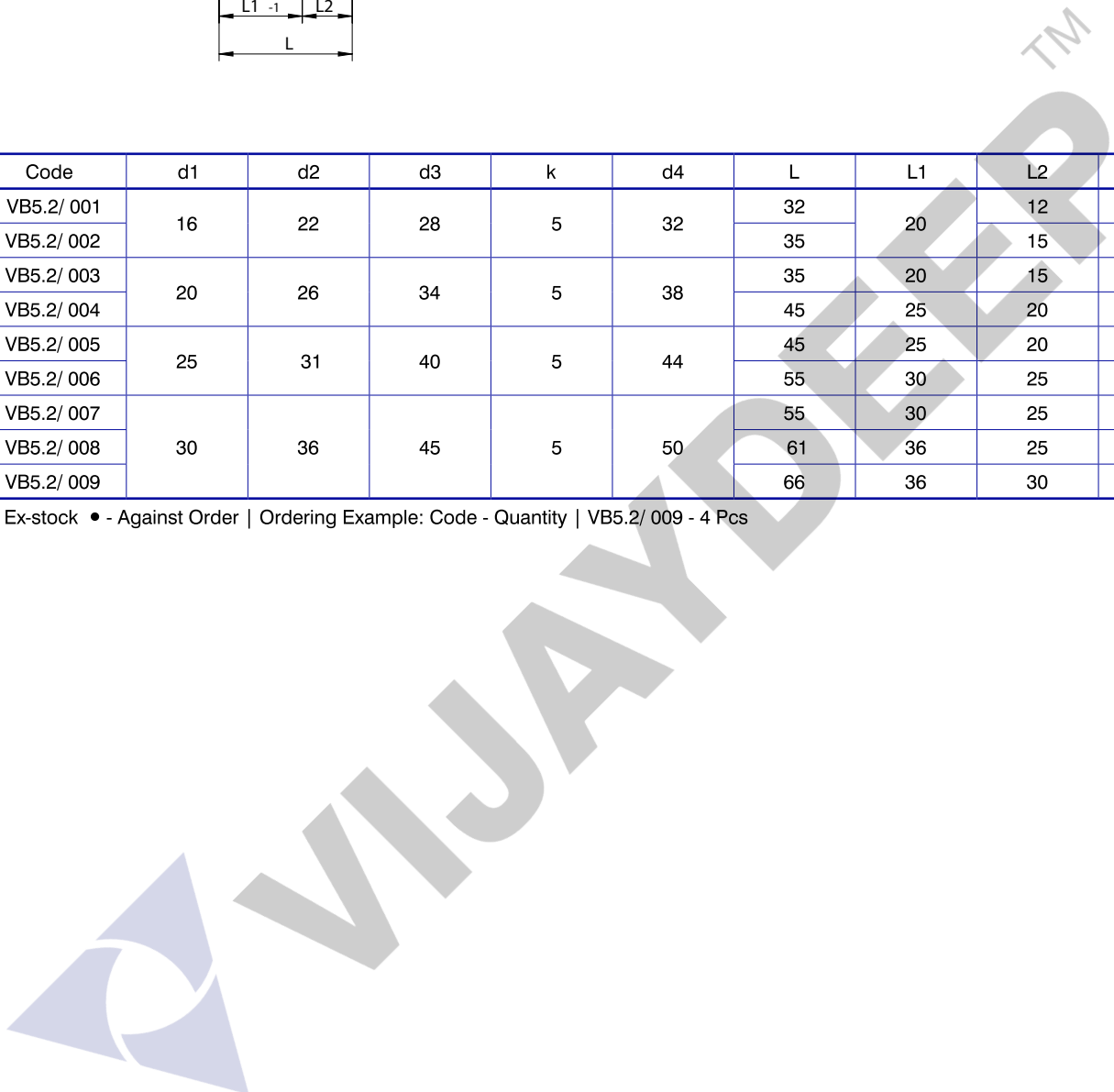
Case Hardness: 58-60HRC



Code	d1	d2	d3	k	d4	L	L1	L2	Stock
VB5.2/ 001	16	22	28	5	32	32	20	12	•
VB5.2/ 002						35		15	•
VB5.2/ 003	20	26	34	5	38	35	20	15	•
VB5.2/ 004						45	25	20	•
VB5.2/ 005	25	31	40	5	44	45	25	20	•
VB5.2/ 006						55	30	25	•
VB5.2/ 007	30	36	45	5	50	55	30	25	•
VB5.2/ 008						61	36	25	•
VB5.2/ 009						66	36	30	•

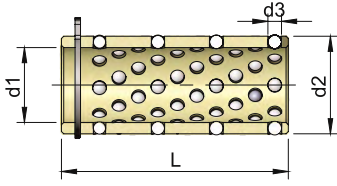
✓ - Ex-stock • - Against Order | Ordering Example: Code - Quantity | VB5.2/ 009 - 4 Pcs

VB



**VB5.2/1**

Raw Material:Brass



VB

Code	d1	d2	d3	L	Stock
VB5.2/1/ 001	16	22	3	50	•
VB5.2/1/ 002	16	22		75	•
VB5.2/1/ 003	20	26		75	•
VB5.2/1/ 004	20	26		100	•
VB5.2/1/ 005	25	31		75	•
VB5.2/1/ 006	25	31		100	•
VB5.2/1/ 007	30	36		75	•
VB5.2/1/ 008	30	36		100	•

✓ - Ex-stock • - Against Order | Ordering Example: Code - Quantity | VB5.2/1/ 008 - 4 Pcs