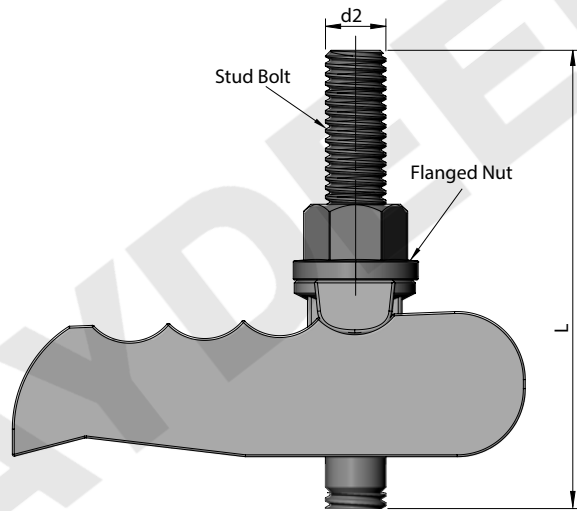
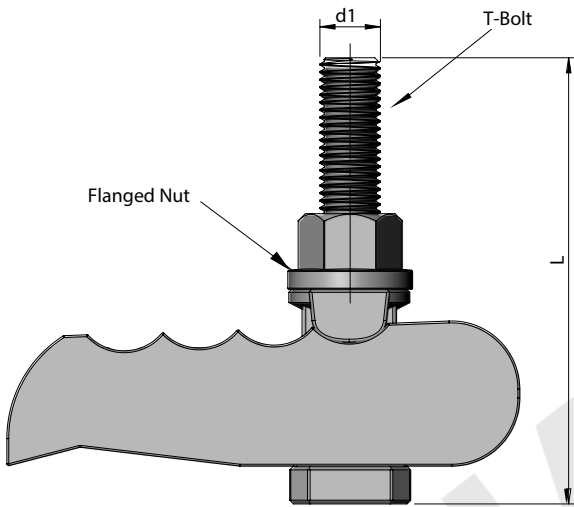


**VZ3.5**



With T Bolt and Flanged Nut

Code	T-Slot Size	T-Bolt Size d1 x L	Clamping Range	Clamp Size
VZ3.5/ 001	12	M12x100	0-35	110x50
VZ3.5/ 002	14	M12x100	0-35	110x50
VZ3.5/ 003	16	M16x160	0-40	135x60
VZ3.5/ 004	18	M16x160	0-40	135x60
VZ3.5/ 005	20	M20x160	0-50	160x70
VZ3.5/ 006	22	M20x160	0-50	160x70
VZ3.5/ 007	24	M24x250	0-60	180x80
VZ3.5/ 008	28	M24x250	0-60	180x80

With Clamping Stud & Flanged Nut

Code	Stud Size d2 x L	Clamping Range	Clamp Size
VZ3.5/ 009	12x100	0-35	110x50
VZ3.5/ 010	16x125	0-40	135x60
VZ3.5/ 011	20x175	0-50	160x70
VZ3.5/ 012	24x200	0-60	180x80

✓ - Ex-stock • - Against Order | Ordering Example: Code - Quantity | VZ3.5/ 008 - 4 Pcs