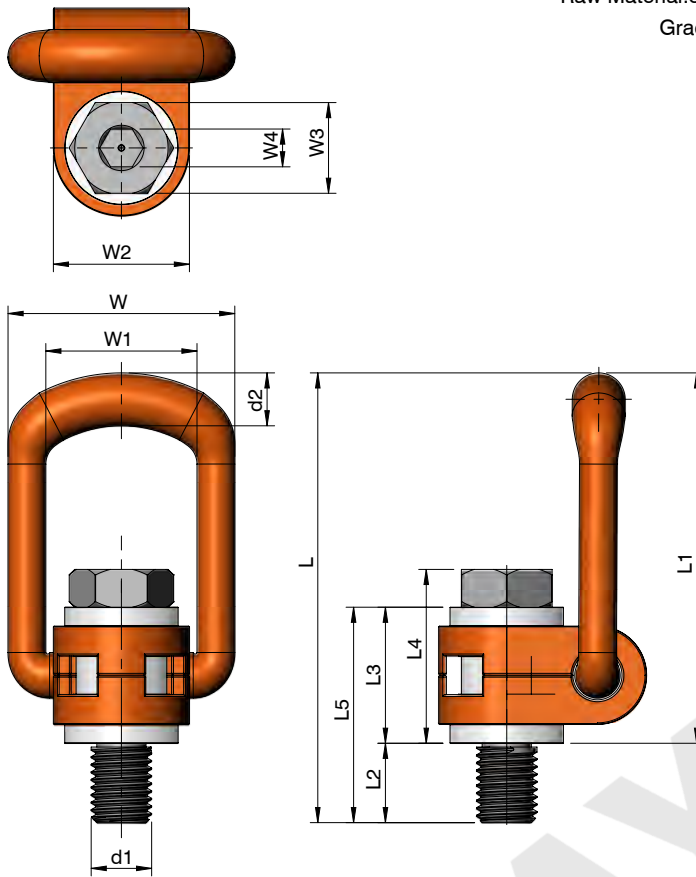


**VZ1.4**

Raw Material:35CrMo  
Grade:G80



Code	WLL/T	d1	d2	L	L1	L2	L3	L4	L5	W	W1	W2	W3	W4	Torque Nm	Weight Kg	Stock
VZ1.4/ M8	0.3	M8x1.25-6g	14	109	98	11	36	35	47	57	37	33	13	6	30	0.5	•
VZ1.4/ M10	0.63	M10x1.5-6g	14	114	98	16	36	36	52	57	37	33	17	6	60	0.5	•
VZ1.4/ M12	1	M12x1.75-6g	14	116	98	18	36	44	54	57	37	33	19	8	100	0.5	•
VZ1.4/ M14	1.2	M14x2-6g	14	119	98	21	36	45	57	57	37	33	22	10	120	0.5	•
VZ1.4/ M16	1.5	M16x2-6g	14	122	98	24	36	46	60	57	37	33	24	10	150	0.5	•
VZ1.4/ M18	2	M18x2.5-6g	17	166	140	26	44	57	70	82	54	50	30	12	200	1.3	•
VZ1.4/ M20	2.5	M20x2.5-6g	17	170	140	30	44	57	74	82	54	50	30	12	250	1.3	•
VZ1.4/ M24	4	M24x3-6g	17	176	140	36	44	59	80	82	54	50	36	14	400	1.4	•
VZ1.4/ M27	4	M27x3-6g	23	208	170	38	62	79	100	99	65	60	41	17	400	2.8	•
VZ1.4/ M30	5	M30x3.5-6g	23	218	170	48	62	81	110	99	65	60	46	17	500	3.1	•
VZ1.4/ M36-1	7	M36x4-6g	23	232	178	54	65	88	119	99	65	60	55	22	700	3.3	•
VZ1.4/ M36-2	8	M36x4-6g	27	287	225	62	78	101	140	124	85	77	55	22	800	5.8	•
VZ1.4/ M42-1	10	M42x4.5-6g	27	297	225	72	78	104	150	124	85	77	65	24	1000	6.3	•
VZ1.4/ M42-2	15	M42x4.5-6g	36	319	256	63	86	112	149	158	104	95	65	24	1500	10.8	•
VZ1.4/ M48	20	M48x5-6g	36	331	259	72	90	120	162	158	104	95	75	27	2000	11.6	•

✓ - Ex-stock • - Against Order | Ordering Example: Code - Quantity | VZ1.4/ M48 - 4 Pcs

**VZ1.4**  
Load Configuration



Load Configuration											
No. of Eye Bolts	1	2	1	2	2	2	2	3 - 4	3 - 4	3 - 4	
Angle Between Chain	0°	0°	90°	90°	0 - 45	45 - 60	Asymmetrical	0 - 45	45 - 60	Asymmetrical	
Code	Size	WLL(t)									
VZ1.4/ M8	M8	0.3	0.6	0.3	0.6	0.42	0.3	0.3	0.63	0.45	0.3
VZ1.4/ M10	M10	0.63	1.26	0.63	1.26	0.88	0.63	0.63	1.32	0.95	0.63
VZ1.4/ M12	M12	1	2	1	2	1.4	1	1	2.1	1.5	1
VZ1.4/ M14	M14	1.2	2.4	1.2	2.4	1.7	1.2	1.2	2.5	1.8	1.2
VZ1.4/ M16	M16	1.5	3	1.5	3	2.1	1.5	1.5	3.1	2.2	1.5
VZ1.4/ M18	M18	2	4	2	4	2.8	2	2	4.2	3	2
VZ1.4/ M20	M20	2.5	5	2.5	5	3.5	2.5	2.5	5.2	3.7	2.5
VZ1.4/ M24	M24	4	8	4	8	5.6	4	4	8.4	6	4
VZ1.4/ M27	M27	4	8	4	8	5.6	4	4	8.4	6	4
VZ1.4/ M30	M30	5	10	5	10	7	5	5	10.5	7.5	5
VZ1.4/ M36-1	M36	7	14	7	14	9.8	7	7	14.7	10.5	7
VZ1.4/ M36-2	M36	8	16	8	16	11.2	8	8	16.8	12	8
VZ1.4/ M42-1	M42	10	20	10	20	14	10	10	21	15	10
VZ1.4/ M42-2	M42	15	30	15	30	21	15	15	31.5	22.5	15
VZ1.4/ M48	M48	20	40	20	40	28	20	20	42	30	20

