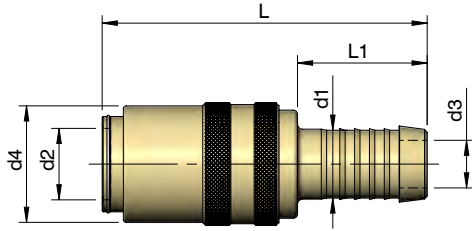


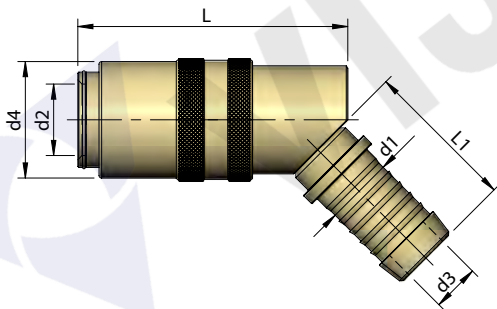
**VJ2.1**  
**Straight Stem**  
 Raw Material: Brass



Code		Series	d1	d2	d3	d4	L	L1	Stock
Through Hole Type	Shut-off Valve Type								
VJ2.1/ 001	VJ2.1/ 001 - V	60	6(1/4")	9	6	17	46	17	•
VJ2.1/ 002	VJ2.1/ 002 - V		8(5/16")						•
VJ2.1/ 003	VJ2.1/ 003 - V		9(5/14")						•
VJ2.1/ 004	VJ2.1/ 004 - V		10(3/8")						•
VJ2.1/ 005	VJ2.1/ 005 - V		13(1/2")						•
VJ2.1/ 006	VJ2.1/ 006 - V	90	10(3/8")	13	8	23	60	23	•
VJ2.1/ 007	VJ2.1/ 007 - V		13(1/2")						10
VJ2.1/ 008	VJ2.1/ 008 - V	190	19(3/4")	19	13	31	90	32	•

✓ - Ex-stock • - Against Order | Ordering Example: Code - Quantity | VJ2.1/ 008 - 5 Pcs

**VJ2.2**  
**45° Stem**  
 Raw Material: Brass



Code		Series	d1	d2	d3	d4	L	L1	Stock
Through Hole Type	Shut-off Valve Type								
VJ2.2/ 001	VJ2.2/ 001 - V	60	6(1/4")	9	6	17	41	17	•
VJ2.2/ 002	VJ2.2/ 002 - V		8(5/16")						•
VJ2.2/ 003	VJ2.2/ 003 - V		9(5/14")						•
VJ2.2/ 004	VJ2.2/ 004 - V		10(3/8")						•
VJ2.2/ 005	VJ2.2/ 005 - V		13(1/2")						•
VJ2.2/ 006	VJ2.2/ 006 - V	90	10(3/8")	13	8	23	51	23	•
VJ2.2/ 007	VJ2.2/ 007 - V		13(1/2")						9
VJ2.2/ 007	VJ2.2/ 007 - V	190	19(3/4")	19	13	31	78	32	•

✓ - Ex-stock • - Against Order | Ordering Example: Code - Quantity | VJ2.2/ 007 - 5 Pcs