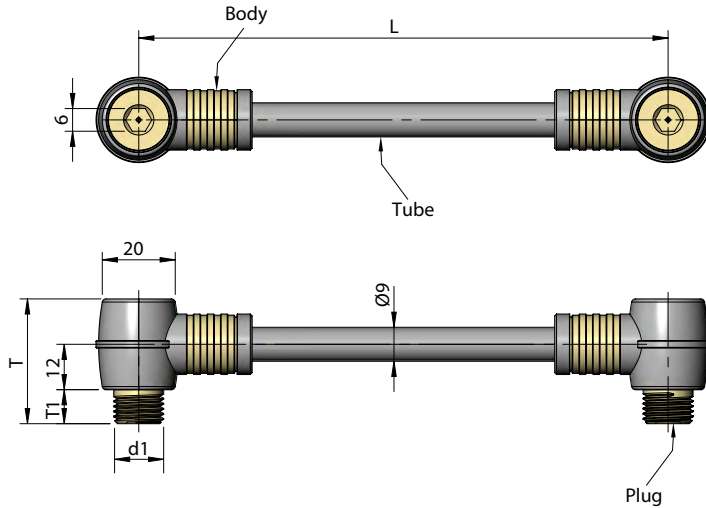
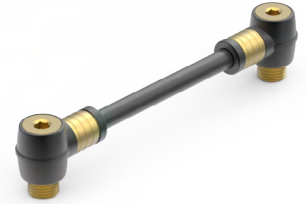


**VJ1.9**

Raw Material: Body: Polyacetal (POM)  
 Tube: Polyurethane  
 Plug: Brass (C3604)



Code	d1	L	T	T1	Stock
VJ1.9/ 001	1/8" BSPT	140	31	9	•
VJ1.9/ 002	1/4" BSPT	140	35	12.7	•
VJ1.9/ 003	M10	140	31	9	•
VJ1.9/ 004	M12	140	35	12.7	•

✓ - Ex-stock • - Against Order | Ordering Example: Code - Quantity | VJ1.9/ 004 - 4 Pcs

Specifications	Thread Size	
	1/8"	1/4"
Maximum Tightening Torque (N.cm)(kgf.cm)	490(50)	880 (90)
Working Pressure (KPa)(kgf/cm <sup>2</sup> )	980(10)	
Maximum Pressure (KPa)(kgf/cm <sup>2</sup> )	1470(15)	
Working Temperature	Up to 80°C	

