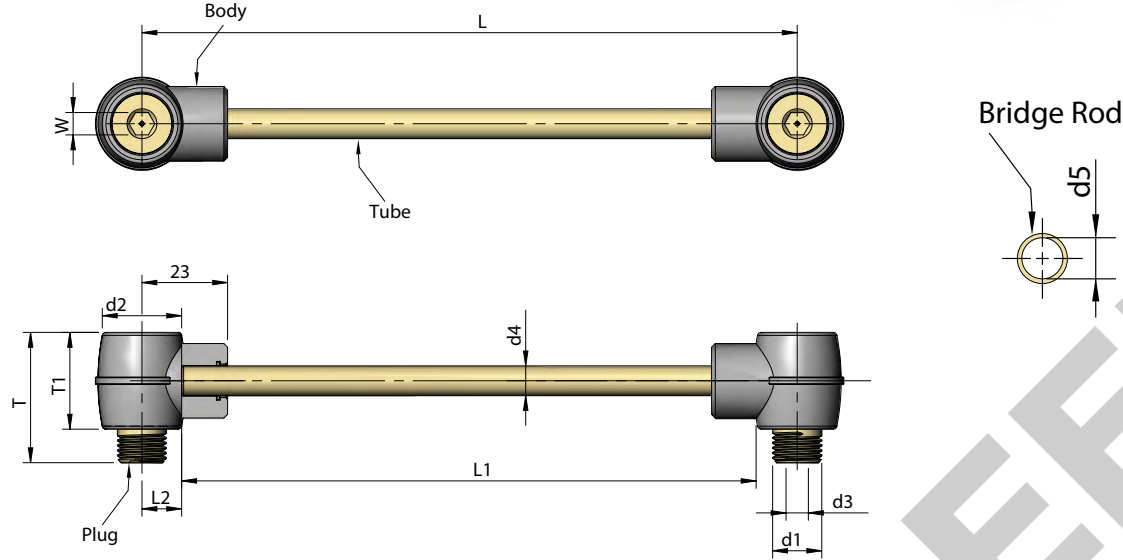
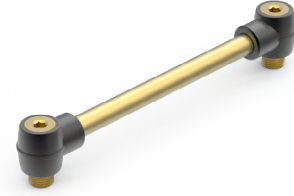


**VJ1.8**

Raw Material: Body: Polyacetal (POM)  
 Tube: Brass (C3604)  
 Plug: Brass (C3604)



Code	d1	d2	d3	d4	d5	L	L1	L2	W	T	T1	Stock	
VJ1.8/ 001	1/8" BSPT	21	5	8	6	317.4	300	8.7	6	35	26	•	
VJ1.8/ 002	1/4" BSPT		6									•	
VJ1.8/ 003	1/4" BSPT	25	9	12	10			322.4	11.2	8	39	30	•
VJ1.8/ 004	3/8" BSPT		•										
VJ1.8/ 005	M10	21	5	8	6	317.4	300	8.7	6	35	26	•	
VJ1.8/006			6									•	
VJ1.8/007	M12	25	9	12	10			322.4	11.2	8	39	30	•

✓ - Ex-stock • - Against Order | Ordering Example: Code - Quantity | VJ1.8/ 006 - 4 Pcs

- ◆ Cooling Bridge VJ1.8 is supplied as plug assembly and tube Separately.
- ◆ Bridge length can be set by the user by cutting the tube to the required length
- ◆ Centre distance between holes can be determined by deducting L1-(2xL2)
- ◆ Example: For a 100 mm center distance, Ø8mm Tube length should be  $100 - (2 \times 8.7) = 82.6\text{mm}$

Specifications	Thread Size		
	1/8"	1/4"	3/8"
Maximum Tightening Torque (N.cm) (kgf.cm)	490(50)	880 (90)	1176(120)
Working Pressure (kPa)(kgf/cm <sup>2</sup> )	980(10)		
Maximum Pressure (kPa)(kgf/cm <sup>2</sup> )	1470(15)		
Working Temperature	Up to 80°C		