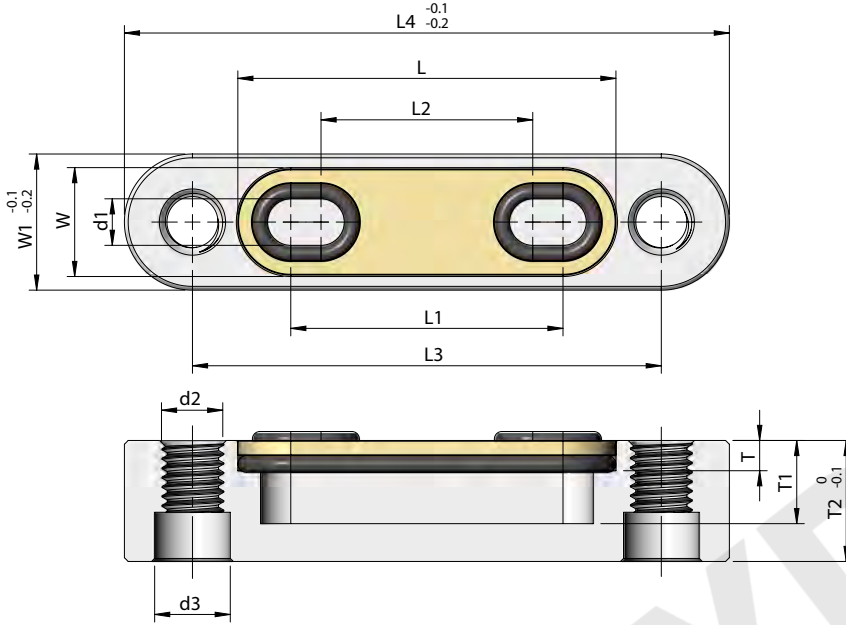


**VJ1.14**

Raw Material: 2.0401  
 Viton O-Ring  
 Loop Nest: 1.2085  
 Max. Pressure: 6 bar  
 Max. Temp.: 180°C



Code	d1	d2	d3 (CBore for)	L	L1	L2	L3	L4	W	W1	T	T1	T2	Stock
VJ1.14/ 001	6	M6	M5	36	24	16	46	62	12	16	4	9	14	•
VJ1.14/ 002				44	32	24	54	70						•
VJ1.14/ 003	8	M8	M6	42	28	18	54	72	14	18	4	11	16	•
VJ1.14/ 004				50	36	28	62	80						•
VJ1.14/ 005	10	M8	M6	46	30	20	60	80	16	20	4	12	17	•
VJ1.14/ 006				56	40	30	70	90						•

✓ - Ex-stock • - Against Order | Ordering Example: Code - Quantity | VJ1.14/ 006 - 4 Pcs

