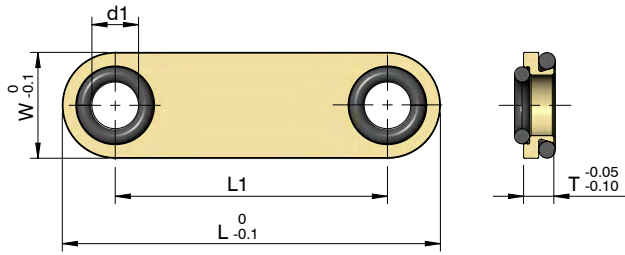


VJ1.11

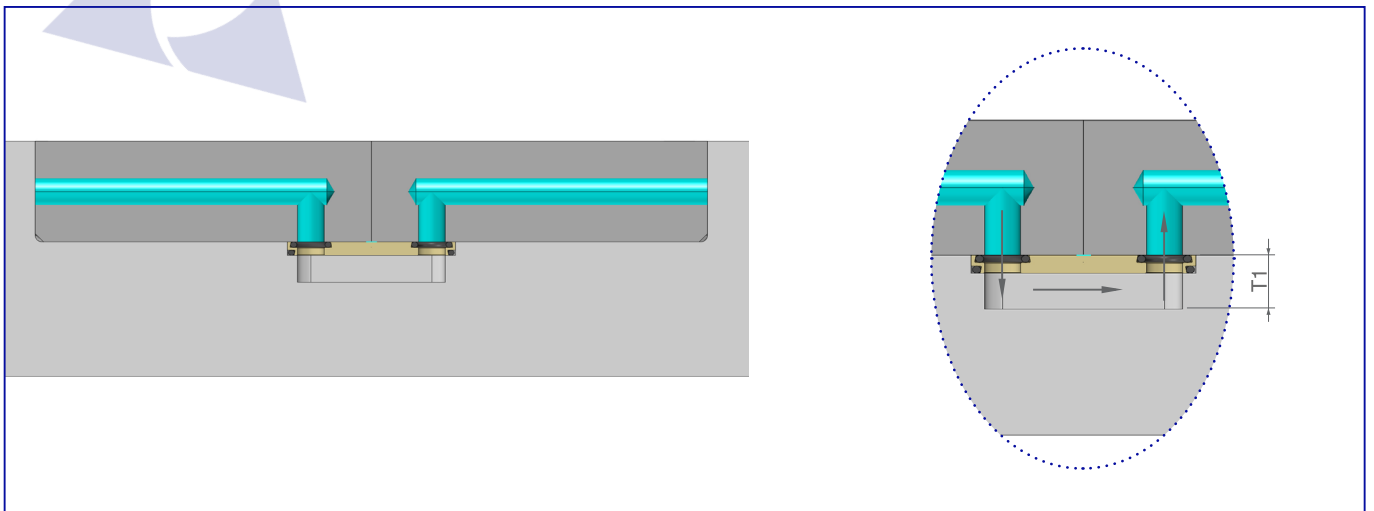
Raw Material: 2.0401
 Viton O-Ring
 Max. Pressure: 6 bar
 Max. Temp.: 180°C



Code	1 x Oval O-Ring	2 x Round O-Ring	d1	L	L1	W	T	T1	Stock
VJ1.11/ 001	VJ1.15/ 013 - V	VJ1.15/ 002 - V	5	26	15	11	4	8	•
VJ1.11/ 002	VJ1.15/ 017 - V			33	22				•
VJ1.11/ 003	VJ1.15/ 020 - V			41	30				•
VJ1.11/ 004	VJ1.15/ 015 - V	VJ1.15/ 003 - V	6	28	16	12	4	9	•
VJ1.11/ 005	VJ1.15/ 018 - V			36	24				•
VJ1.11/ 006	VJ1.15/ 023 - V			44	32				•
VJ1.11/ 007	VJ1.15/ 017 - V	VJ1.15/ 005 - V	8	32	18	14	4	11	•
VJ1.11/ 008	VJ1.15/ 022 - V			42	28				•
VJ1.11/ 009	VJ1.15/ 027 - V			50	36				•
VJ1.11/ 010	VJ1.15/ 019 - V	VJ1.15/ 008 - V	10	36	20	16	4	12	•
VJ1.11/ 011	VJ1.15/ 025 - V			46	30				•
VJ1.11/ 012	VJ1.15/ 031 - V			56	40				•
VJ1.11/ 013	VJ1.15/ 023 - V	VJ1.15/ 011 - V	12	40	22	18	4	14	•
VJ1.11/ 014	VJ1.15/ 028 - V			50	32				•
VJ1.11/ 015	VJ1.15/ 035 - V			62	44				•
VJ1.11/ 016	VJ1.15/ 028 - V	VJ1.15/ 016 - V	16	48	26	22	4	18	•
VJ1.11/ 017	VJ1.15/ 037 - V			62	40				•
VJ1.11/ 018	VJ1.15/ 040 - V			74	52				•

✓ - Ex-stock • - Against Order | Ordering Example: Code - Quantity | VJ1.11/ 018 - 4 Pcs

◆Note: 0.2 x 45° chamfer on drilled holes.



VJ