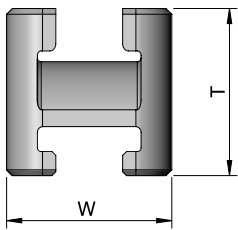
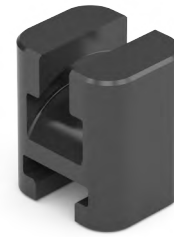
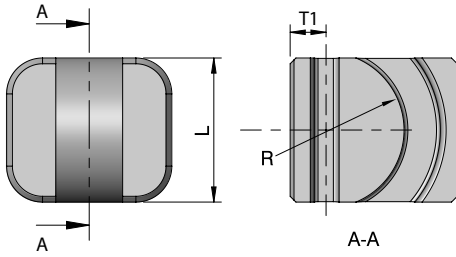


**VF4.3**

**U Coupling**

Raw Material: H13 Steel  
 Surface Hardness: 60-70 HRC  
 Core Hardness: 38-42 HRC



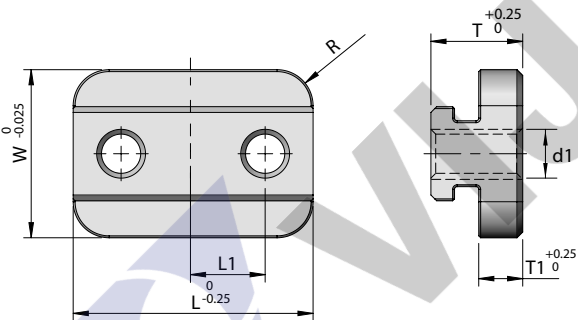
Code	Style	Series	L	W	T	T1	R	Stock
VF4.3/ 001	Small	0.250	11.11	12.7	15.87	3.175	6.35	•
VF4.3/ 002	Medium	0.500	19.05	22.22	22.22	4.74	10.31	•
VF4.3/ 003	Large	1000	38.1	44.45	42.06	3.175	22.22	•
VF4.3/ 004	Metric	1000	18	22	25	6	10	•

√ - Ex-stock • - Against Order | Ordering Example: Code - Quantity | VF4.3/ 004 – 5 Pcs

**VF4.4**

**T-Gib**

Raw Material: 4140  
 Surface Hardness: 60-70 HRC  
 Core Hardness: 38-42 HRC



Note : Thickness T1 is supplied with additional stack of 0.25 mm for assembly height adjustment.

Code	Style	Series	L	W	T	T1	Travel	L1	R	d1 SHCS Included	Stock
VF4.4/ 001	Small	0.25	19.05	12.7	12.7	8.74	7.97	0	2.36	#10-32 x 1"	•
VF4.4/ 002			38.1				29.61	12.7			•
VF4.4/ 003	Medium	0.5	25.4	22.22	11.88	5.56	6.35	0	4.76	1/4-20 x 3/4"	•
VF4.4/ 004			31.75				12.7	9.52			•
VF4.4/ 005			44.45				25.4	15.87			•
VF4.4/ 006			57.15				38.1	19.05			•
VF4.4/ 007	Large	1	50.8	44.45	15.62	6.35	12.7	15.87	7.93	3/8-16 x 1 1/4"	•
VF4.4/ 008			63.5				25.4	22.22			•
VF4.4/ 009			101.6				63.5	34.92			•
VF4.4/ 010	Metric	10	33	22	13	6	10	10	5	M5 x 20	•
VF4.4/ 011			52				30	15			•

√ - Ex-stock • - Against Order | Ordering Example: Code - Quantity | VF4.4/011 - 5 pcs