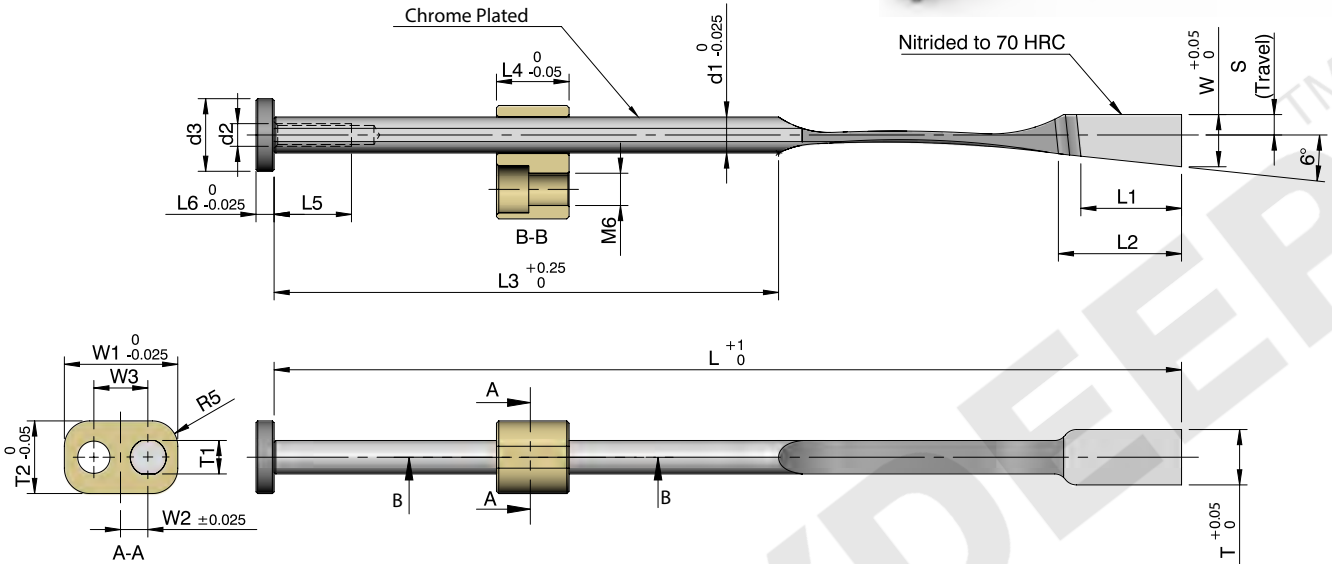


VF1.3

Raw Material: Sprung Core: Spring Steel - 1.6565
 Hardness: 35HRC
 Raw Material: Guide Block: Bronze



Code	d1	d2	d3	L	L1	L2	L3	L4	L5	L6	L7	W	W1	W2	W3	T	T1	T2	S	Stock
VF1.3/ 001	5.94	M4	16	162	22	24.3	88	16	19	4	12.5	9	25	6	12	6.2	4.83	16	3.5	●
VF1.3/ 002	6.35				26	30	111	16	19	4	16.5	11.5	25	6	12	8.2	5.08			●
VF1.3/ 003	7.92	M5	16	200	26	30	111	16	19	4	16.5	11.5	25	6	12	10.2	7.37	16	4.5	●
VF1.3/ 004					30	33.1	107	16	19	4	20	12.5	25	6	12	12.2				7.37
VF1.3/ 005					30	33.1	107	16	19	4	20	12.5	25	6	12	14.2	7.37	16	4.5	●
VF1.3/ 006					30	33.1	107	16	19	4	20	12.5	25	6	12	16.2				7.37

✓ - Ex-stock ● - Against Order | Ordering Example: Code - Quantity | VF1.3/ 006 - 5 Pcs

◆ Max. Working Temperature : 120°C

VF

