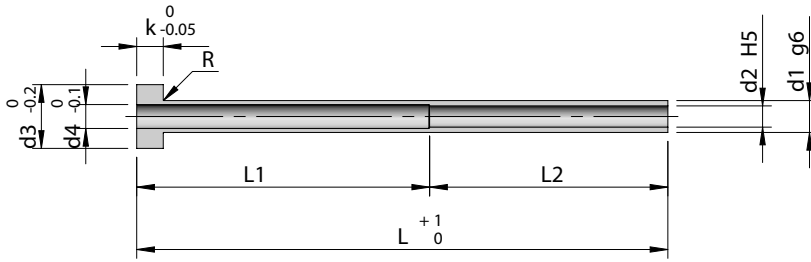


VE5.4

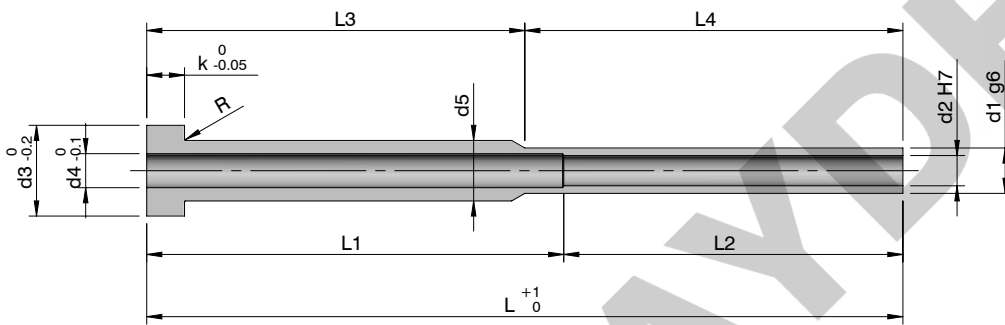
Drawings for customized Ejector Sleeve



Sr. No	Material	d1	d2	d3	k	d4	L	L1	L2	R	Qty

VE5.5

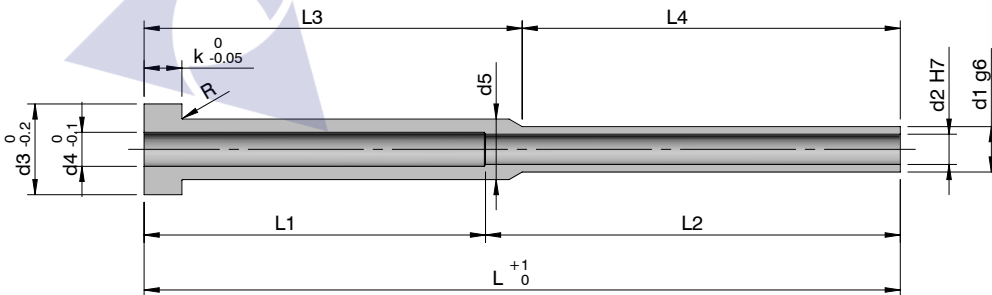
Drawings for customized Step Ejector Sleeve



Sr. No	Material	d1	d2	d3	d4	k	d5	L	L1	L2	L3	L4	R	Qty

VE5.6

Drawings for customized Step Ejector Sleeve



Sr. No	Material	d1	d2	d3	d4	k	d5	L	L1	L2	L3	L4	R	Qty

◆Note: Please specify tolerance for all dimensions (for customised product only)