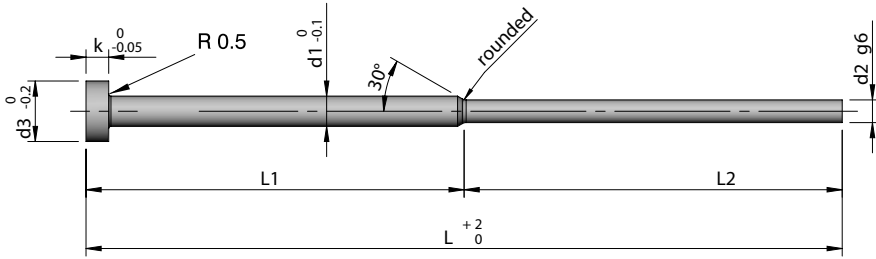
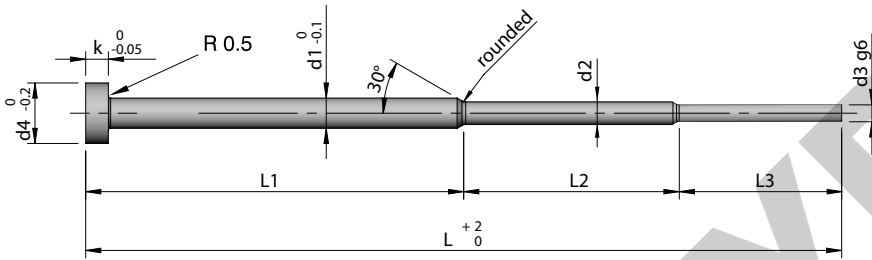


**VE5.1**  
Drawing For Customized Step Ejector Pin



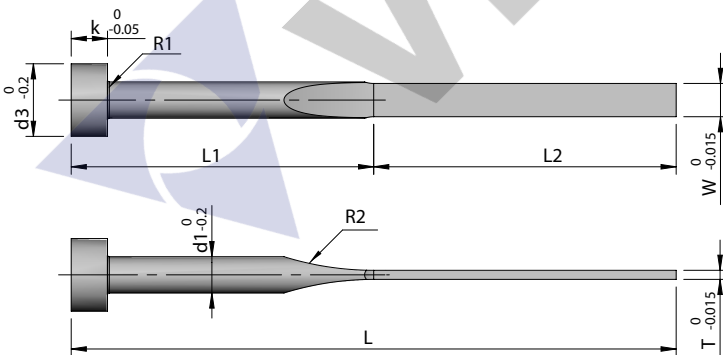
Sr. No	Material	d1	d2	d3	k	L	L1	L2	R	Qty

**VE5.2**  
Drawing For Customized Double Step Ejector Pin



Sr. No	Material	d1	d2	d3	d4	k	L	L1	L2	L3	R	Qty

**VE5.3**  
Drawing For Customized Blade Ejector Pins



Sr. No	Material	d1	d3	k	L	L1	L2	W	T	R1	R2	Qty

◆Note: Please specify tolerance for all dimensions (for customised product only)