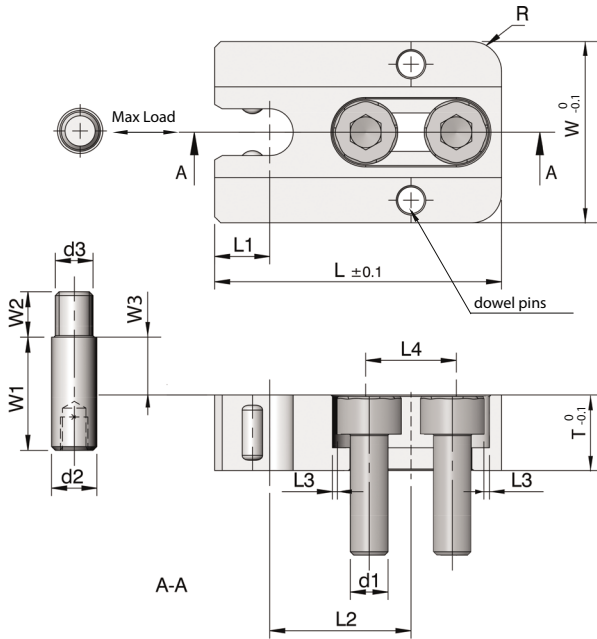
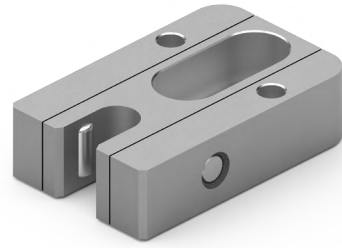


VD3.7

With Hardened Polished Stainless Steel Ball



Code	L	L1	L2	L3	L4	L4(1)	L4(2)	W	W1	W2	W3	T	d1	d2	d3	R	Max. Load	Stock
VD3.7/ 001	38	7.5	18.5	1	22	10	12	24	15	6	6	10	M5X15	6	M5	4	10Kgf	•
VD3.7/ 002	50	9	25.5	1.5	27	12	15	36	19	8	8	12	M6X15	8	M6	6	20Kgf	•
VD3.7/ 003	64	12	33	2	34	15	19	46	23	10	8	16	M8x20	12	M10	8	40Kgf	•

✓ - Ex-stock • - Against Order | Ordering Example: Code - Quantity | VD3.7/ 003- 50 Pcs

Ways of Application

Adjustable

- Slide Retainer position can be adjusted when the mounting screws are installed at distance of L4 (1). In this case it is recommended to dowel the slide retainer in place after setting for future disassembly and re-assembly

Fixed

- Slide Retainer position will not be adjustable when mounting screws are installed at distance L4 (2)

VD