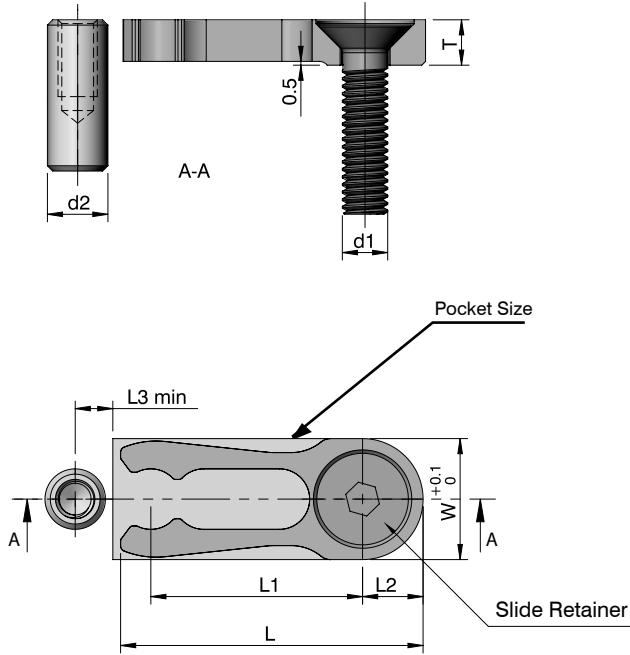


VD3.5

Raw Material: Spring Steel - 1.8159
Hardness: 43 to 47 HRC



Code	L	L1	L2	L3	W	T	d1	d2	Max. Holding wt. (kg)	Stock
VD3.5/ 001	30	21	6	4	12	5	M5 x 16	6 x 20	5	•
VD3.5/ 002	40	28	8	5	16	6	M6 x 25	8 x 20	7	•
VD3.5/ 003	50	34	10	6	20	8	M8 x 30	10 x 24	14	•
VD3.5/ 004	60	42	12	7	24	10	M10 x 40	12 x 32	21	•
VD3.5/ 005	80	56	16	9	32	12	M12 x 50	16 x 40	28	•
VD3.5/ 006	80	56	16	9	32	16	M12 x 50	16 x 40	38	•

✓ - Ex-stock • - Against Order | Ordering Example: Code - Quantity | VD3.5/ 006 - 8 Pcs

