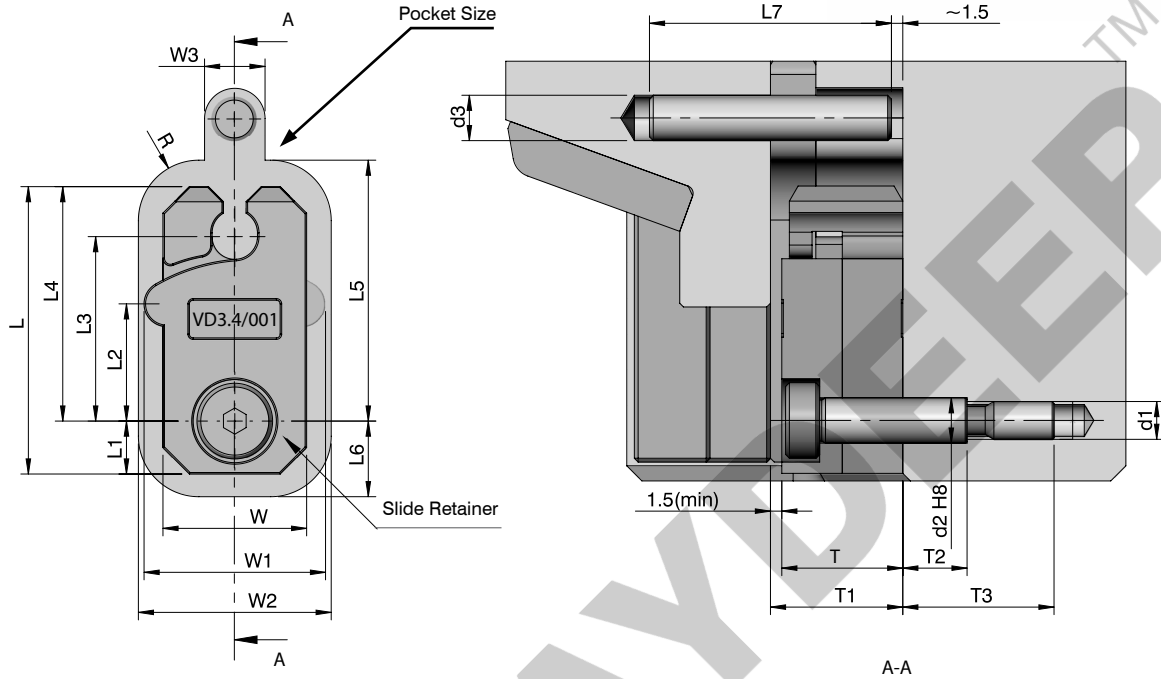


VD3.4

Raw material: Cast Steel
Hardness: 54 to 58 HRC



Code	L	L1	L2	L3	L4	Dowel Pin		W	W1	T	T2	T3	d1	d2	R	Max Holding Weight (Kg)	Stock
						L7	d3										
VD3.4/ 001	38	7	15.5	24.89	31	32	6	19	24	16	8.5	20	M5	6	8	10	✓
VD3.4/ 002	54	11	22.5	34.93	43	40	8	32	36.5	20	10.5	25	M6	8	10	20	✓
VD3.4/ 003	86	19	40	53.98	67	60	10	45	49.5	30	17.0	35	M8	10	12	40	✓

Code	Pocket Dimension				
	W2	W3	L5	L6	T1
VD3.4/ 001	25.5	8	34.5	10.0	17.5
VD3.4/ 002	38.0	10	46.0	14.5	21.5
VD3.4/ 003	51.0	12	70.0	22.5	31.5

✓ - Ex-stock • - Against Order | Ordering Example: Code - Quantity | VD3.4/ 003 - 8 Pcs

- ◆ Dimension L3, The distance from dowel pin center at the end of travel to the center of shoulder screw is important. Over travel of dowel pin could damage the retainer.
- ◆ Note: Recommended use upto 110°C
- ◆ Shoulder Screw Size for replacement

Slide Retainer Code	Shoulder Screw Code
VD3.4/ 001	VC2.1/003
VD3.4/ 002	VC2.1/013
VD3.4/ 003	VC2.1/029