

VB6.9

Double Interlock

Female:

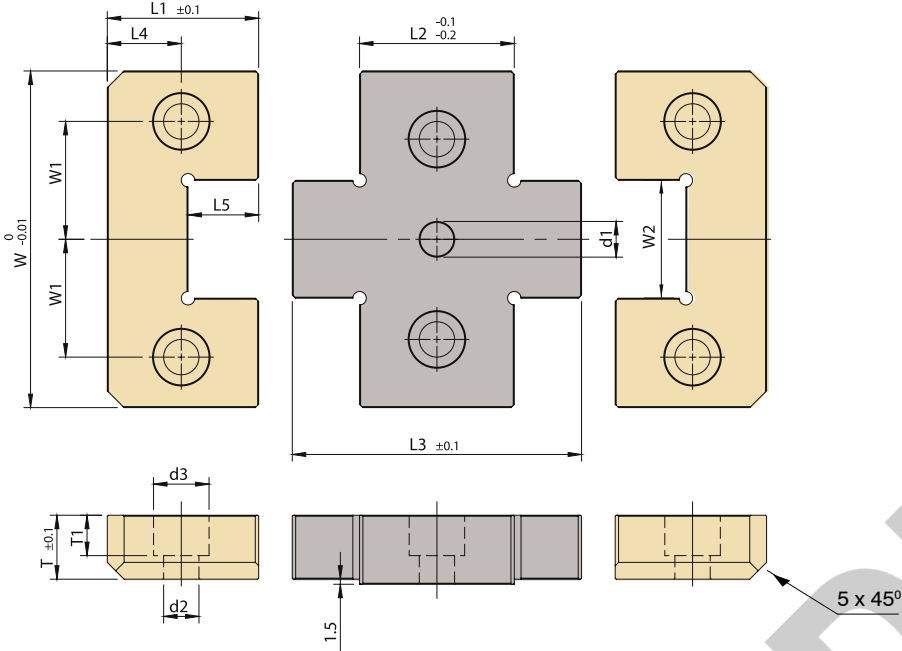
Raw Material:A-2 with Tin Coated ♦Hardness: 58-60 HRC

Male:

Raw Material:O-2 with Surface Treatment Black Oxide ♦Hardness: 50-52 HRC



VB



Code	L1	L2	L3	L4	L5	W	W1	W2	T	T1	d1	d2	d3	Stock
VB6.9/ 001	21.5	26	43	11	9.5	50	17	17	16	8	6	6.5	10.5	•
VB6.9/ 002	21.5	36	53	11	9.5	50	17	17	16	8	6	6.5	10.5	•
VB6.9/ 003	36	26	54	18	15	75	25	25	19	12	10	10.5	16.5	•
VB6.9/ 004	36	36	64	18	15	75	25	25	19	12	10	10.5	16.5	•
VB6.9/ 005	45	36	76	22	21	100	35	35	19	12	10	10.5	16.5	•
VB6.9/ 006	45	46	86	22	21	100	35	35	19	12	10	10.5	16.5	•
VB6.9/ 007	45	36	76	22	21	125	42	45	25	12	12	10.5	16.5	•
VB6.9/ 008	45	46	86	22	21	125	42	45	25	12	12	10.5	16.5	•

✓ - Ex-stock • - Against Order | Ordering Example: Code - Quantity | VB6.9/ 008 - 4 Pcs (1 Piece = 1 Male + 2 Female)

