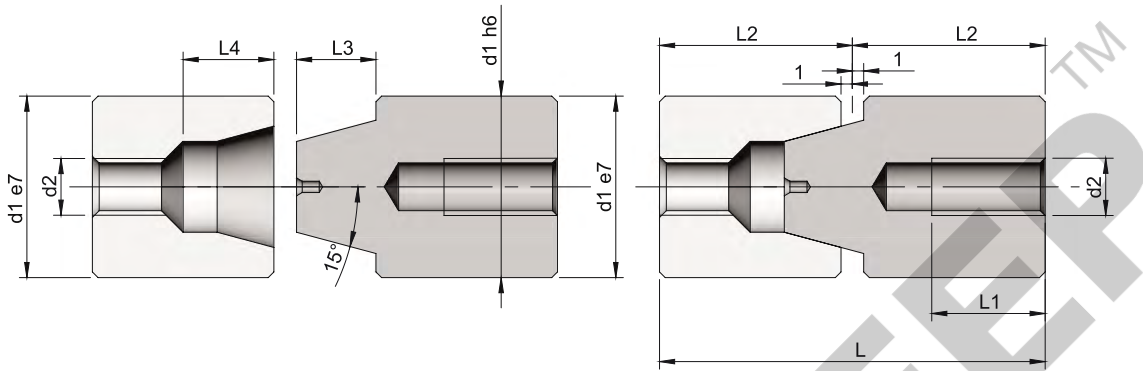


VB6.1

15° Taper

Raw Material: EN-31 Hardened and Ground
Hardness: 54±2 HRC



Code	d1	d2	L	L1	L2	L3	L4	Stock
VB6.1/ 12	12	M4	34	11	17	4	8	✓
VB6.1/ 14	14	M5		12		7		✓
VB6.1/ 16	16	M8		15		10		13
VB6.1/ 20	20		✓					
VB6.1/ 25	25		✓					
VB6.1/ 26	26	M10	72	18	36	14	20	•
VB6.1/ 30	30							✓
VB6.1/ 32	32							✓
VB6.1/ 42	42	92	46	18	25	•	•	

✓ - Ex-stock • - Against Order | Ordering Example: Code - Quantity | VB6.1/ 42 - 4 Pcs (1 Piece = 1 Male + 1 Female)

Note : Any other Diameter & Length available as per customers requirement

