

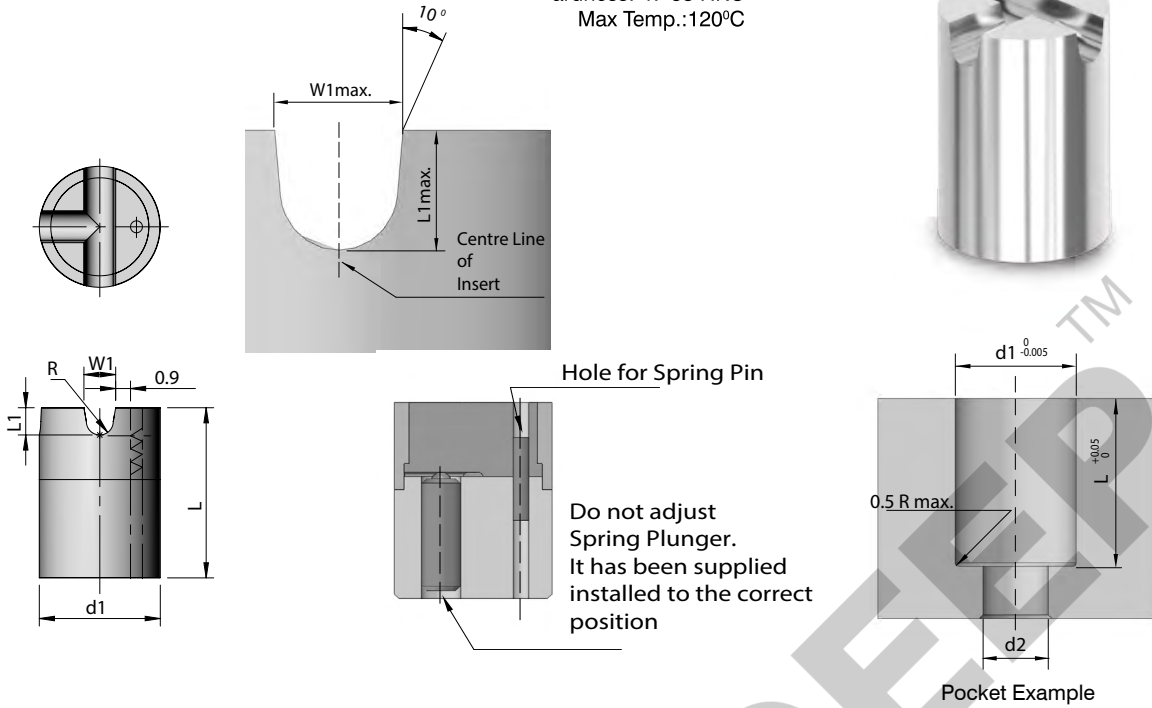
**VA5.1**

Material:SS

Hardness: 47-53 HRC

Max Temp.:120°C

VA



Code	d1	d2	L	Recommended Runner Sizes					Stock	
				Use Insert Code	L1	W1	R	Equivalent Ø of a Round Runner		Cross Sectional Area of the Runner (mm <sup>2</sup> )
VA5.1/001	13	5.6	22.5	VA5.1/001	2.3	2.5	1.01	2.4	4.5	•
				VA5.1/002	3	3.2	1.27	3.1	7.7	•
				VA5.1/003	3.3	3.8	1.57	3.6	10.3	•
VA5.1/002	16	8.6	22.5	VA5.1/002	3.6	4.2	1.78	4	12.3	•
				VA5.1/003	3.98	4.7	1.98	4.4	14.8	•
					4.4	5.2	2.18	4.9	18.7	•
					5.5	6.6	2.76	6.1	29	•
VA5.1/003	26	15	32	VA5.1/003	6.35	7.5	3.17	7	38	•
					7.1	8.5	3.55	7.8	47.7	•
					7.9	9.4	3.96	8.7	59.3	•
					8.7	10.4	4.36	9.6	72.2	•
					9.5	11.3	4.74	10.4	85.8	•

✓ - Ex-stock • - Against Order | Ordering Example: Code - Quantity | VA5.1/003 - 4 Pcs

