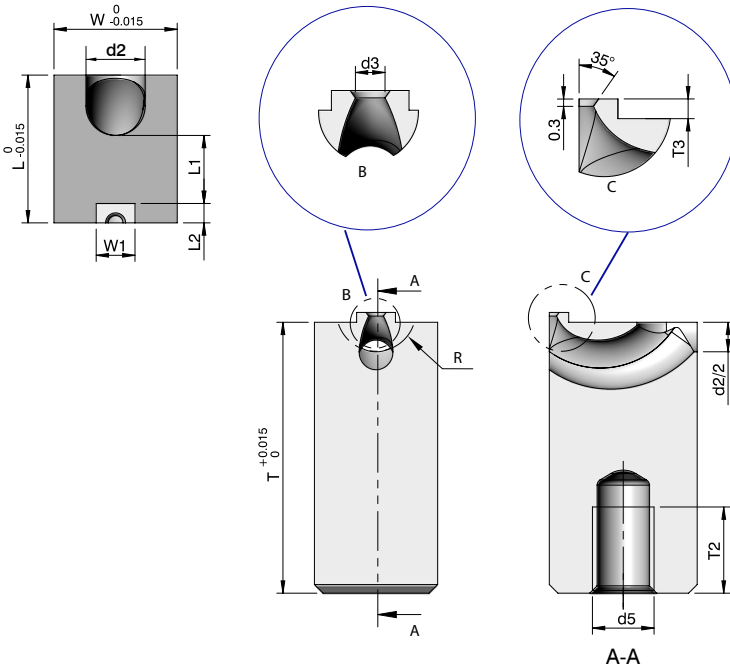


**VA4.1**

Material: 1.2767

Hardness: 52-56 HRC



Code	d2	d3	d5	L	L1	L2	W	W1	T	T2	T3	R	Stock
VA4.1/ 8 x 0.4	4	0.4	M4	8	3.7	1.3	6	2.6	17	8	0.8	1.5	●
VA4.1/ 8 x 0.6	4	0.6	M4	8	3.7	1.3	6	2.6	17	8	0.8	1.5	●
VA4.1/ 8 x 0.8	4	0.8	M4	8	3.7	1.3	6	2.6	17	8	0.8	1.5	●
VA4.1/ 10 x 0.6	4	0.6	M4	10	3.7	1.3	8	2.6	22	8	0.8	2	●
VA4.1/ 10 x 0.8	4	0.8	M4	10	3.7	1.3	8	2.6	22	8	0.8	2	●
VA4.1/ 10 x 1	4	1	M4	10	3.7	1.3	8	2.6	22	8	0.8	2	●
VA4.1/ 12 x 0.6	4.5	0.6	M5	12	4.5	1.5	10	3	27	10	0.8	2.25	●
VA4.1/ 12 x 0.8	4.5	0.8	M5	12	4.5	1.5	10	3	27	10	0.8	2.25	●
VA4.1/ 12 x 1	4.5	1	M5	12	4.5	1.5	10	3	27	10	0.8	2.25	●
VA4.1/ 15 x 0.8	5	0.8	M6	15	5	1.75	12	3.5	27	10	0.8	2.5	●
VA4.1/ 15 x 1	5	1	M6	15	5	1.75	12	3.5	27	10	0.8	2.5	●
VA4.1/ 15 x 1.2	5	1.2	M6	15	5	1.75	12	3.5	27	10	0.8	2.5	●

✓ - Ex-stock ● - Against Order | Ordering Example: Code - Quantity | VA4.1/ 15 x 1.2 - 4 Pcs

◆ Note: Please refer to the Installation Guide on Page No. 29

